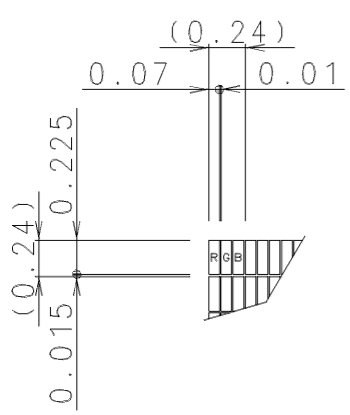
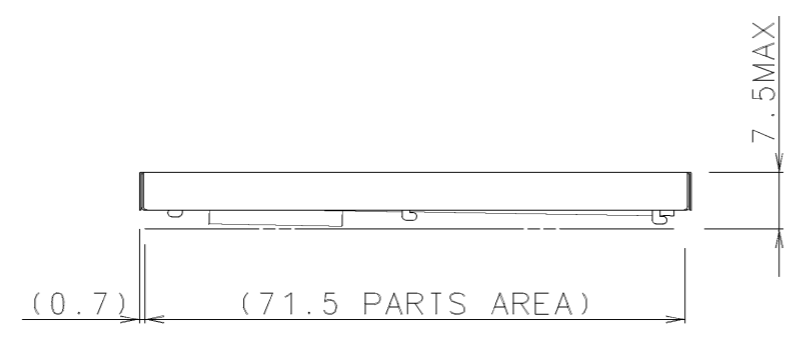


PIN ASSIGNMENT

CN1	
No.	Symbol
1	VSS
2	VSS
3	FLM
4	LP
5	CP
6	DISPOFF
7	D7
8	D6
9	D5
10	D4
11	VCC
12	D3
13	D2
14	D1
15	D0
16	VSS
17	VLCD
18	NC
19	NC
20	NC
21	NC
22	VSS
CN2	
No.	Symbol
1	H.V
2	NC
3	GND



DOT DETAIL  
(S=20:1)



SECTION A-A

NOTE  
● MARK SETTING DIMENSIONS  
: SPECIAL CHARACTERISTICS.

MEASURE	TOLERANCE			THIRD ANGLE PROJECTION	DATE OCT.26'01	OPTREX CORPORATION
	A	B	C			
L≤16	±0.1	±0.3	±1	UNIT mm	APPROVED T.Okamoto	TITLE DIMENSIONAL OUTLINE
16<L≤63	±0.2	±0.5	±1.5		SCALE 1:1	CHECKED S.Kuwabara
63<L≤250	±0.3	±0.8	±2	DRAWN M.Nakada		DWG NO UE-310580
250<L≤500	±0.5	±1.2	±3			
500<L	±0.8	±2	±4			
ANGLE	±1°	±5°	±10°			